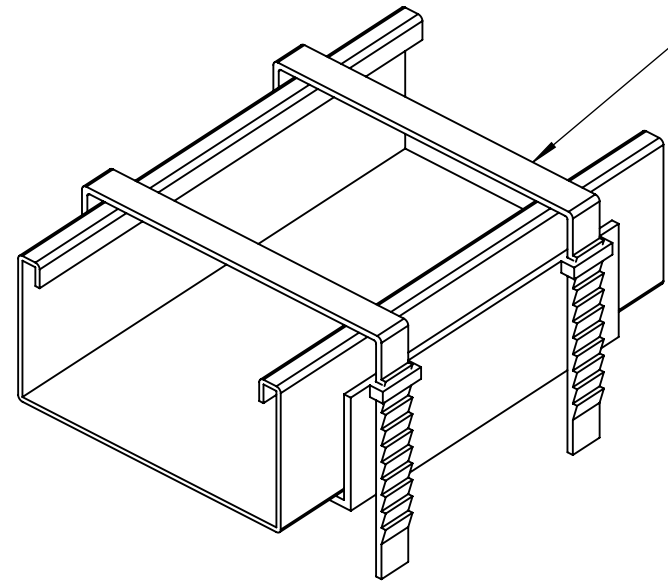


PROPRIETARY AND CONFIDENTIAL
 THE INFORMATION CONTAINED IN THIS DRAWING IS THE SOLE PROPERTY OF PIPE PROP. ANY REPRODUCTION IN PART OR AS A WHOLE WITHOUT THE WRITTEN PERMISSION OF PIPE PROP IS PROHIBITED.

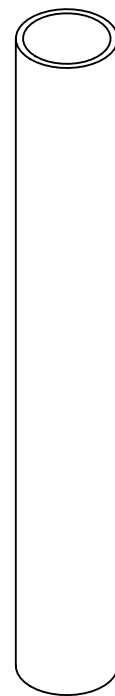
		UNLESS OTHERWISE SPECIFIED:			
		DIMENSIONS ARE IN INCHES		DRAWN	
		TOLERANCES:		CHECKED	
		FRACTIONAL ±		ENG APPR.	
		ANGULAR: MACH ± BEND ±		MFG APPR.	
		TWO PLACE DECIMAL ±		Q.A.	
		THREE PLACE DECIMAL ±		COMMENTS:	
		INTERPRET GEOMETRIC TOLERANCING PER:		TITLE: US-PP	
		MATERIAL		SIZE DWG. NO. REV	
		FINISH		C	
NEXT ASSY	USED ON	APPLICATION		SCALE: 1:1 WEIGHT: SHEET 5 OF 7	
		DO NOT SCALE DRAWING			

Self-Locking Straps

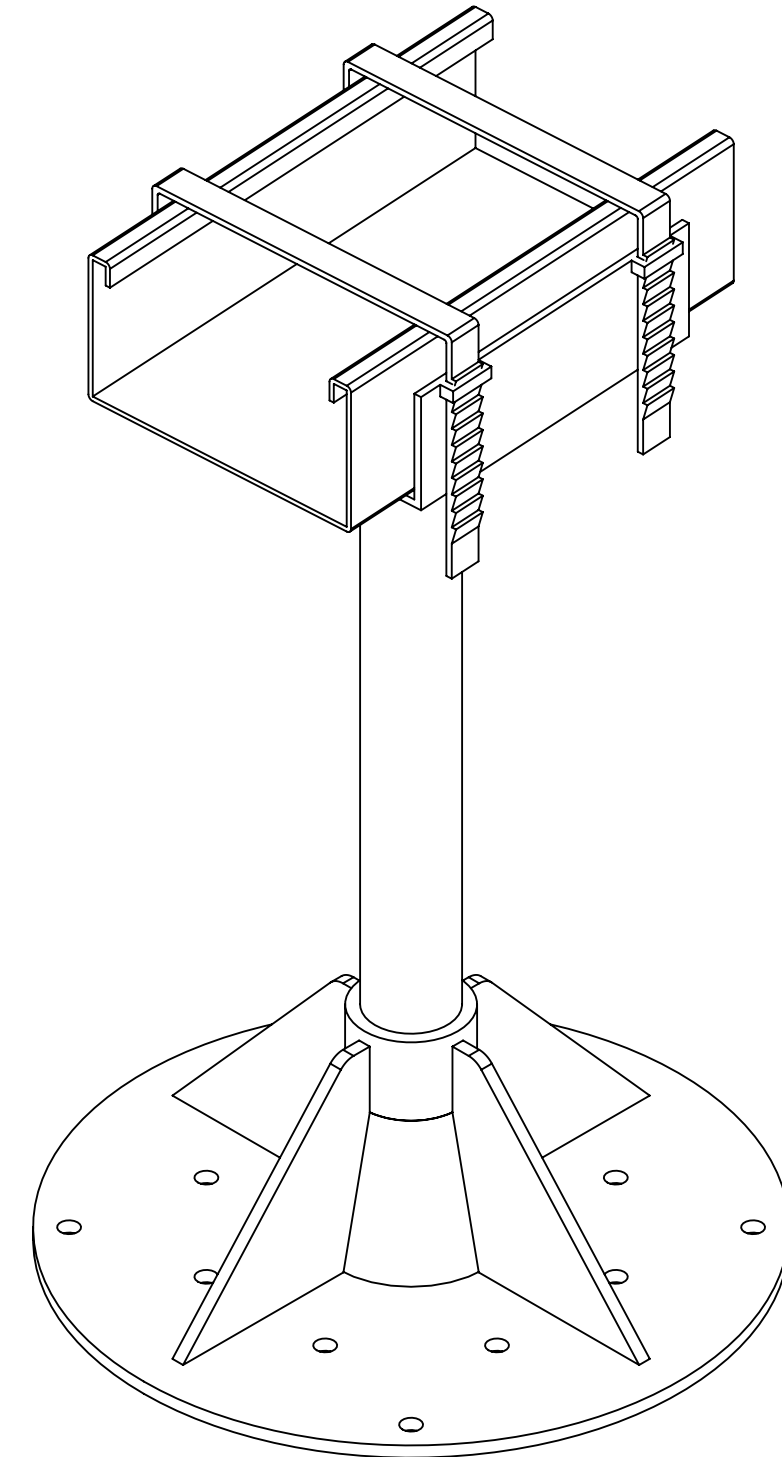
Unistrut



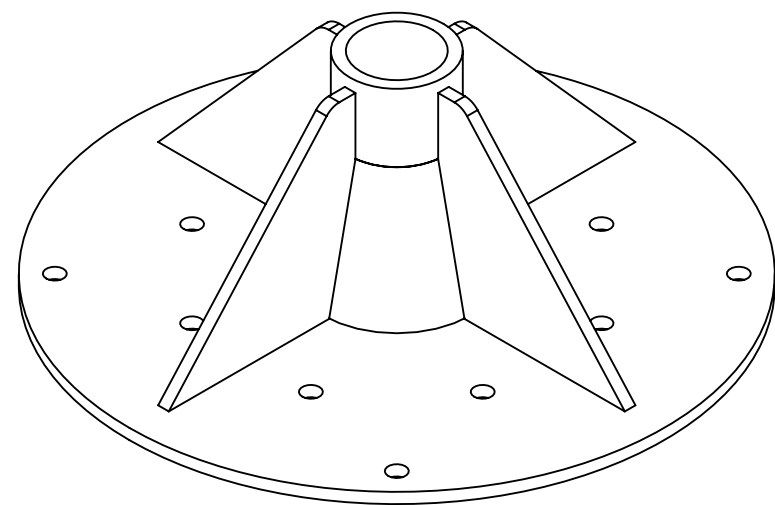
3/4" Schedule 40
PVC Electrical Conduit
(Cut to Length Required)



Assembled US-PP



Pipe Prop
Circular Base



PROPRIETARY AND CONFIDENTIAL
THE INFORMATION CONTAINED IN THIS DRAWING IS THE SOLE PROPERTY OF PIPE PROP. ANY REPRODUCTION IN PART OR AS A WHOLE WITHOUT THE WRITTEN PERMISSION OF PIPE PROP IS PROHIBITED.

		UNLESS OTHERWISE SPECIFIED:		NAME	DATE		
		DIMENSIONS ARE IN INCHES		DRAWN		TITLE: US-PP	
		TOLERANCES:		CHECKED			
		FRACTIONAL ±		ENG APPR.			
		ANGULAR: MACH ± BEND ±		MFG APPR.			
		TWO PLACE DECIMAL ±		Q.A.			
		THREE PLACE DECIMAL ±		COMMENTS:			
		INTERPRET GEOMETRIC TOLERANCING PER:				SIZE	DWG. NO.
		MATERIAL				C	REV
NEXT ASSY	USED ON	FINISH				SCALE: 1:2 WEIGHT: SHEET 6 OF 7	
APPLICATION		DO NOT SCALE DRAWING					